

4-channel EMI Filter with ESD Protection Diode Chip Scale Packaging (CSP)

Features

- Four (4) Low pass EMI filters with excellent attenuation at high frequencies
- ESD protection at 15KV per IEC61000
- Very small 9-bump CSP device (2.47mm x 0.97mm)
- Special back coating for maximum durability
- RoHS Compliant in Lead-Free Versions

Applications

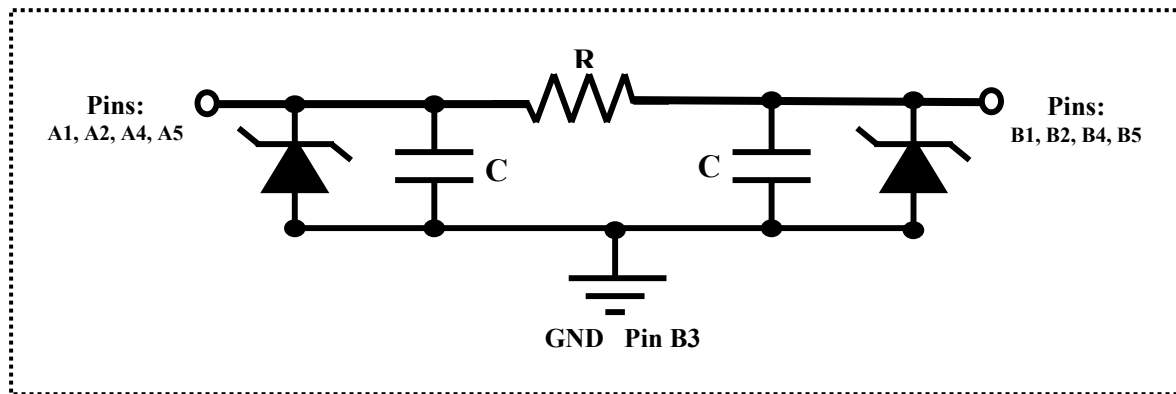
- Cellular Handsets
- PDA
- MP3 Players
- PC & Notebooks
- Smart Cards
- Digital Cameras

Product Description

The OC1425 is a 4-channel pi-style Capacitor-Resistor-Capacitor EMI/RFI Filter with integrated Diodes for electrostatic discharge (ESD) protection. This device offers greater than 30dB attenuation in the 800MHz to 3GHz. The diodes provide a 15kV contact-discharge ESD protection per IEC-61000 specifications.

The device is built in a 9-bump CSP format with 0.5mm pitch and is ideal for portable electronic systems.

Schematic for Each Line



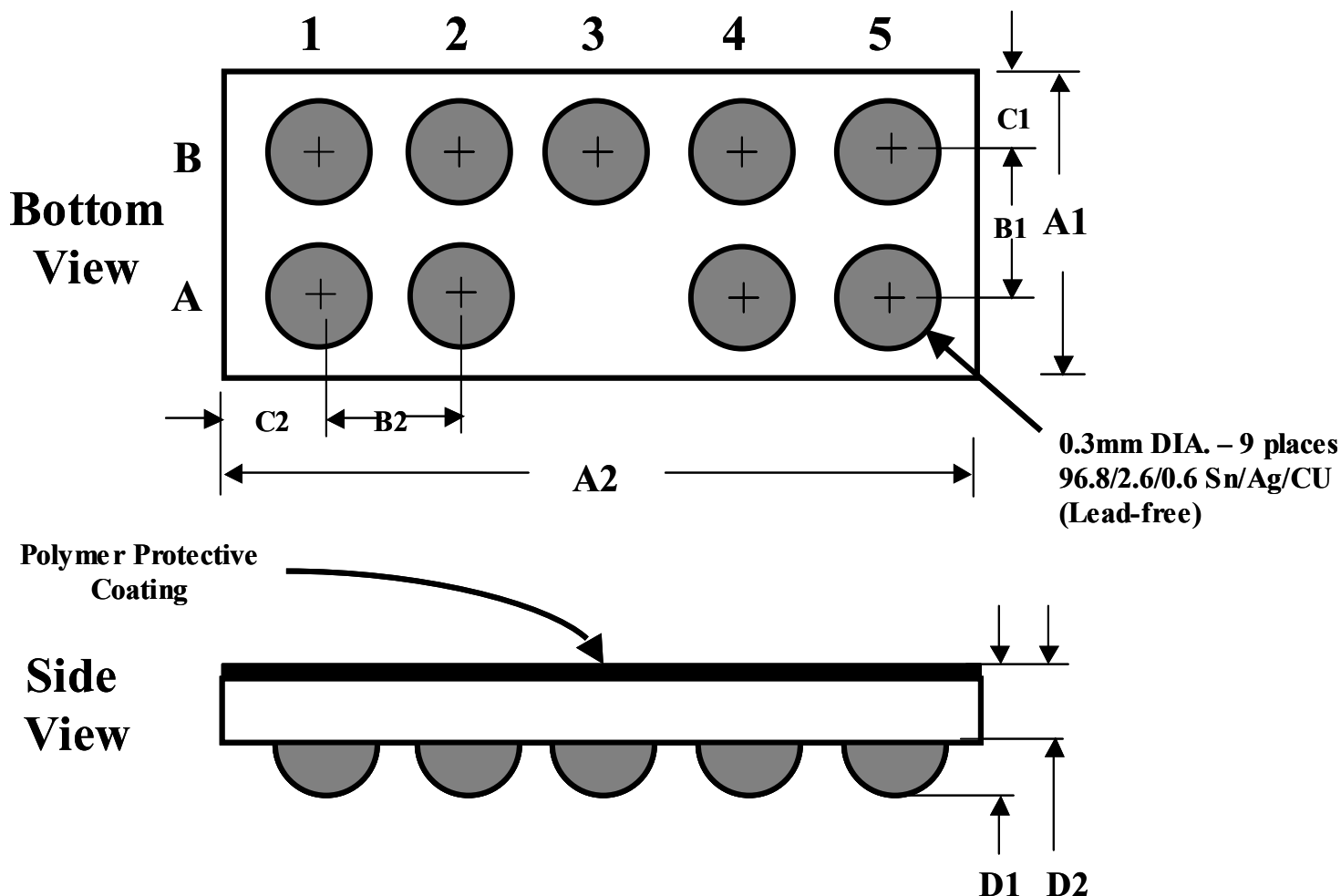
ELECTRICAL CHARACTERISTICS PER LINE @ 25°C Unless Otherwise Specified								
PART NUMBER	RATED STAND-OFF VOLTAGE	MINIMUM BREAKDOWN VOLTAGE	MAXIMUM REVERSE LEAKAGE CURRENT	TYPICAL FORWARD VOLTAGE	MINIMUM ATTENUATION @ 800 to 3,000 MHz	CUT-OFF FREQUENCY 50-OHMS SOURCE & LOAD	RESISTANCE R +/-20%	CAPACITANCE C +/-20%
OC1425-03CP	6 Volts	7 Volts	0.1 uA	0.8 Volts	-30dB	86 MHz	100-ohms	20-pF

PRELIMINARY DATA SHEET

OnChip

OC1425-03CP

Mechanical Package Diagram



Package Dimensions						
Dimensions	Millimeters (mm)			Inches (")		
	Min.	Typ.	Max.	Min.	Typ.	Max.
A1	0.925	0.970	1.015	0.0364	0.0382	0.0400
A2	2.425	2.470	2.515	0.0955	0.0972	0.0990
B1	0.495	0.500	0.505	0.0195	0.0197	0.0199
B2	0.495	0.500	0.505	0.0195	0.0197	0.0199
C1	0.185	0.235	0.285	0.0073	0.0093	0.0112
C2	0.185	0.235	0.285	0.0073	0.0093	0.0112
D1	0.575	0.644	0.714	0.0226	0.0254	0.0281
D2	0.368	0.419	0.470	0.0145	0.0165	0.0185
Parts/reel	3,500					
Controlling Dimension: mm						