

## 8-channel LCD & Camera EMI Filter with ESD Protection Chip Scale Packaging (CSP)

**Features**

- Eight (8) Low pass EMI filters with excellent attenuation at high frequencies
- ESD protection at 15KV per IEC61000
- 20-bump CSP device (3.160mm x 1.053mm)
- Special back coating for maximum durability
- RoHS Compliant in Lead-Free Versions

**Applications**

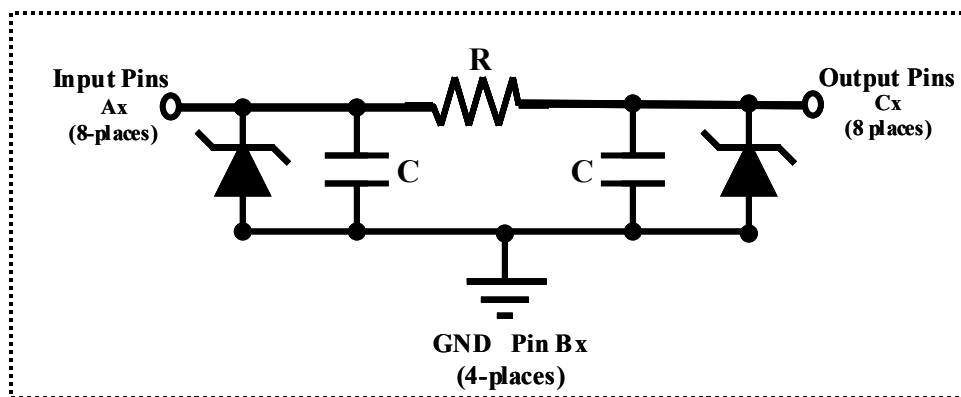
- Cellular Handsets
- PDA
- MP3 Players
- PC & Notebooks
- Smart Cards
- Digital Cameras

**Product Description**

The OC1442 is an 8-channel pi-style Capacitor-Resistor-Capacitor EMI/RFI Filter with integrated Diodes for electrostatic discharge (ESD) protection. This device offers greater than 30dB attenuation in the 800MHz to 3GHz. The diodes provide a 15kV contact-discharge ESD protection per IEC-61000 specifications.

The device is built in a 20-bump CSP format with 0.4mm pitch and is ideal for portable electronic systems.

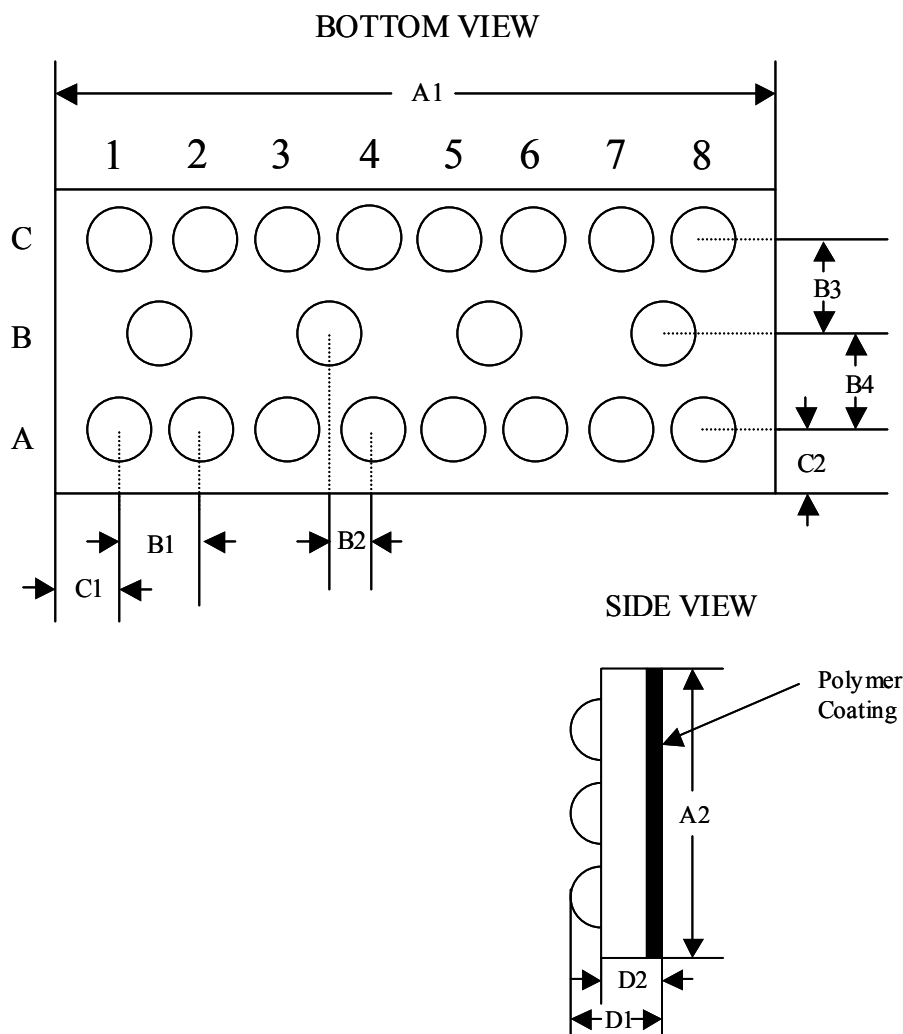
**Schematic for Each Line**



**ELECTRICAL CHARACTERISTICS PER LINE @ 25°C Unless Otherwise Specified**

PART NUMBER	RATED STAND-OFF VOLTAGE	MINIMUM BREAKDOWN VOLTAGE	MAXIMUM REVERSE LEAKAGE CURRENT	TYPICAL FORWARD VOLTAGE	MINIMUM ATTENUATION @ 800 to 3,000 MHz	CUT-OFF FREQUENCY 50-OHMS SOURCE & LOAD	RESISTANCE R +/-20%	CAPACITANCE C +/-20%
OC1442-08CP	6 Volts	7 Volts	0.1 uA	0.8 Volts	-30dB	115 MHz	100-ohms	15-pF

**Mechanical Package Diagram**



<b>Package Dimensions</b>						
Dimensions	Millimeters (mm)			Inches (")		
	Min.	Typ.	Max.	Min.	Typ.	Max.
A1	3.115	3.160	3.205	0.1226	0.1244	0.1262
A2	1.008	1.053	1.098	0.0397	0.0415	0.0432
B1	0.395	0.400	0.405	0.0156	0.0157	0.0159
B2	0.195	0.200	0.205	0.0076	0.0078	0.0080
B3	0.342	0.347	0.352	0.0134	0.0136	0.0138
B4	0.342	0.347	0.352	0.0134	0.0136	0.0138
C1	0.130	0.180	0.230	0.0051	0.0071	0.0091
C2	0.130	0.180	0.230	0.0051	0.0071	0.0091
D1	0.575	0.644	0.714	0.0226	0.0254	0.0281
D2	0.368	0.419	0.470	0.0145	0.0165	0.0185
Parts/reel	3,500					
Controlling Dimension: mm						